
This is an electronic reprint of the original article.
This reprint may differ from the original in pagination and typographic detail.

Saleem, Ali Raza; Luomaniemi, Rasmus; Lehtovuori, Anu; Stadius, Kari; Kosunen, Marko; Viikari, Ville; Ryyänen, Jussi

Leveraging frequency agility of an MIMO antenna cluster with a transmitter IC

Published in:
International Journal of Microwave and Wireless Technologies

DOI:
[10.1017/S1759078722000344](https://doi.org/10.1017/S1759078722000344)

Published: 01/02/2023

Document Version
Peer-reviewed accepted author manuscript, also known as Final accepted manuscript or Post-print

Please cite the original version:
Saleem, A. R., Luomaniemi, R., Lehtovuori, A., Stadius, K., Kosunen, M., Viikari, V., & Ryyänen, J. (2023). Leveraging frequency agility of an MIMO antenna cluster with a transmitter IC. *International Journal of Microwave and Wireless Technologies*, 15(1), 41-50. <https://doi.org/10.1017/S1759078722000344>

This material is protected by copyright and other intellectual property rights, and duplication or sale of all or part of any of the repository collections is not permitted, except that material may be duplicated by you for your research use or educational purposes in electronic or print form. You must obtain permission for any other use. Electronic or print copies may not be offered, whether for sale or otherwise to anyone who is not an authorised user.

RESEARCH PAPER

Leveraging Frequency Agility of A MIMO Antenna Cluster with A Transmitter IC

ALI RAZA SALEEM, RASMUS LUOMANIEMI, ANU LEHTOVUORI, KARI STADIUS, MARKO KOSUNEN, VILLE VIIKARI, JUSSI RYYNÄNEN

This paper presents the prototype demonstration where an integrated transmitter circuit drives a mobile handset terminal antennas in order to provide frequency tunability and MIMO operation across 0.5-4.5 GHz frequency range. The transmitter implementation incorporates on-chip weighted signal generation, i.e., amplitude and phase scaling to provide sufficient MIMO performance in the low band (700 MHz- 960 MHz) and high band (1.5 GHz - 4.5 GHz). In the transmitter, two antenna elements are used for MIMO operation in the low band and another two in the high band. The transmitter IC is fabricated in a 28nm bulk CMOS technology with an active on-chip area of 0.2mm². A custom antenna measurement procedure is proposed here in order to support and verify active antenna measurements with transmitter IC. The measurement procedure for the transmitter system comprising of the transmitter IC and four antenna clusters is developed and discussed in comparison to traditional passive antenna measurements. The measurement results demonstrate that the transmitter IC driving the antenna clusters provide total antenna efficiency of -6.5 dB to -1.5 dB, and envelope correlation coefficient below 0.4 across the designated frequency bands. The results indicate that the implemented transmitter IC successfully tunes frequency response of the antenna clusters, and enhances the MIMO operation of such mobile antennas.

Keywords: Authors should not add keywords, as these will be chosen during the submission process (see http://journals.cambridge.org/data/relatedlink/MRF_topics.pdf for the full list)

I. INTRODUCTION

Next generation wireless devices are aiming for significant expansion in terms of data rates, frequency spectrum coverage along with reduced form factor. It is expected that a radio device may contain more than 10 different radios and 20 antennas operating across a wide frequency range, and it needs to comply with several radio standards [1]. These features are addressed with a multi-antenna system approach, such as the multiple input multiple output (MIMO) technique that provides higher data capacity, and frequency-reconfigurable techniques for multi-band and wide-band operation. In particular, the MIMO technique aims for efficient operation with reduced envelope correlation coefficient (ECC) while the frequency reconfigurable or tunable antennas target for enhanced total efficiency. In fact, the typical frequency reconfiguration methods, such as PIN diodes [2–7], varactor diodes [8–11], RF MEMS [12–17], and RF switches [14, 18–22] currently provide narrow band solutions. Moreover, these solutions suffer from power consumption, non-linearity, and form factor issues. With the continuous demand for additional

frequency band coverage and higher data rates, it is becoming an arduous task to accommodate the increasing number of antennas in a limited volume of a mobile device.

Lately, a multiantenna system method was reported in [23], where the antenna frequency response is entirely tuned by manipulating the feeding signal characteristics such as amplitude and phase of antenna feeds. The concept is based on mutual coupling among antenna elements, and utilize optimal feeding weights in order to tune the antenna to a desired operation frequency. It may resemble to beamforming in antenna arrays where similar weighted feeds steer the main beam, however, this approach adjusts the frequency characteristics of the antenna cluster. The concept is initially verified at 2 GHz and 4.3 GHz with four monopole antenna cluster where the weighted signal generation is realized as a static solution based on transmission line based power divider and phase shifters [23]. To cope up with this limitation, an RF integrated transmitter circuit is implemented to support on-chip weighted signal generation capabilities in order to verify the antenna tuning concept across a wide band from 1.5 GHz to 5 GHz [24]. Afterwards, the MIMO concept has advanced as a feature to the antenna cluster tuning concept [25]. The scenario is illustrated in Fig. 1(a) where weighted antenna feeds (A_{1-n}, φ_{1-n}) are applied to N clusters operating as MIMO with k elements in each cluster. However, both MIMO and antenna cluster tuning are limited in a sense that

The authors are with the Department of Electronics and Nanoengineering, Aalto University, Espoo, Finland

Corresponding author: Ali Raza Saleem
Email: ali.saleem@aalto.fi

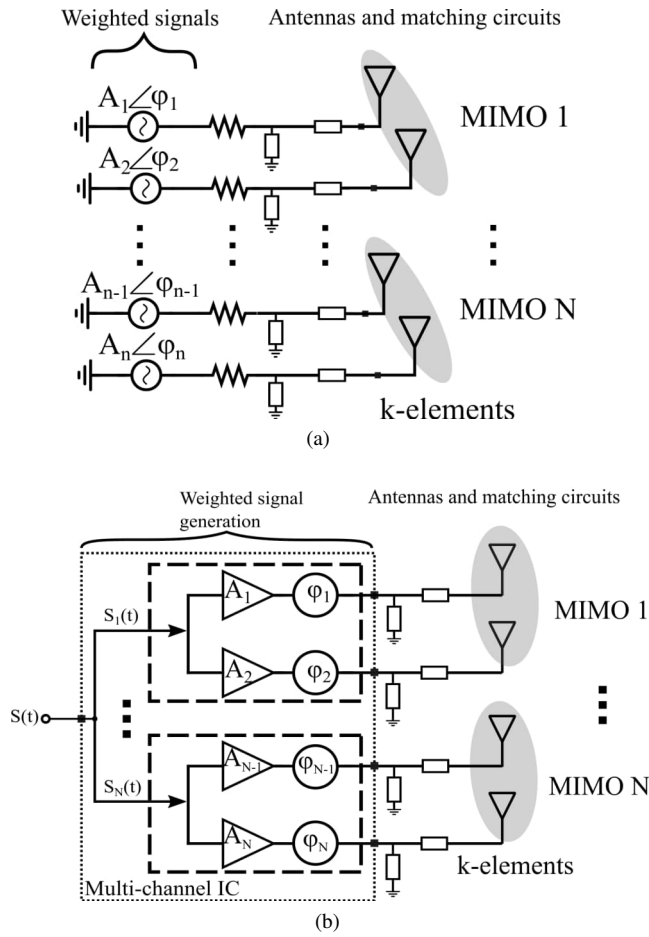


Fig. 1.: Illustration of a multiport antenna cluster tuning concept with N MIMO antennas with k elements in each cluster (a) Ideal weighted sources for frequency tunability of MIMO antenna clusters (b) Proposed on-chip weighted signal generation implementation for frequency-reconfigurable operation of MIMO clusters

the optimal signal generation was realized in computational software tool, such as, Matlab where mathematical manipulation was done to scale amplitude and phase of antenna cluster feeds.

In this detailed work, an extension to [26], we represent a system where handset MIMO antenna is fed by a 0.5–4.5 GHz transmitter front-end to implement frequency reconfigurable multiport antenna cluster. The MIMO work in [25] is extended with the transmitter IC [24] as a possible alternative to frequency reconfigurable MIMO antenna cluster. In contrast to [24], the operation of transmitter IC is extended to cover frequency bands from 0.5 GHz to 1.5 GHz, and the transmitter IC is capable of tuning four antenna clusters operating from 0.5 GHz to 4.5 GHz. The goal here is to verify antenna cluster tuning and MIMO features with a real transmitter circuit with on-chip amplitude and phase weighting capabilities as shown in Fig. 1 (b). It shows a compact real-time solution for on-chip weighted signal generation for N antenna clusters with each being driven with a respective on-chip tuning circuit.

Further, the verification of both above mentioned concepts require non-traditional anechoic chamber measurements which includes an active real time transmitter IC driving antenna clusters operating as MIMO. This customized measurement procedure is developed and discussed with respect to traditional antenna measurements. This is among the first demonstrations of MIMO antenna cluster controlled by a multi-channel IC enabling wide-band matching and frequency reconfigurability across the spectrum. The paper is organized as follows. Section II provides brief review of MIMO antenna clusters utilized in this work, and the RFIC operation and circuit details. Section III highlights the measurement procedure adopted for the verification and performance evaluation of the MIMO cluster. Section IV presents the measurement setup, and the result for the four antenna clusters operating as a MIMO with or without the transmitter IC across the spectrum are discussed in Section V. Finally, the conclusions are given in Section VI.

II. IMPLEMENTATION OF THE ANTENNA-IC SYSTEM

A) Antenna design

In this work, we use the antenna design originally presented in [25] and depicted in Fig. 2. This platform presents the challenges set by the requirements of modern smartphones but also demonstrates the benefits achievable with the antenna cluster technique. With large touchscreen taking almost all of the front face of the device, there is very little volume available for the antennas, especially in the low-band frequencies where larger elements are needed for good performance. Also, for aesthetic reasons, as well as for mechanical durability, metallic rims are very popular. In this case, we use completely unbroken rim which is even more challenging environment than typically used rims divided with slots. The unbroken rim tends to increase coupling between the antennas making the realization of MIMO operation very challenging.

We utilize the radiation modes of the rim excited with multiple elements placed around the device. Because of the high coupling, the performance of traditional antenna solutions would deteriorate, but by using the antenna cluster technique, we can benefit from this coupling because relatively high level of coupling is typically required for good cluster performance [27]. In this design, each cluster has two elements. When these elements are fed with properly chosen complex signals:

$$\mathbf{a} = A_i \angle \varphi_i, \quad (1)$$

the reflections from the ports can be minimized and the radiated power maximized. By varying the feeding weights as a function of operation frequency, the efficiency across wide frequency bands can be maximized.

The antenna system consists in total of eight elements which are used as four antenna clusters as shown in

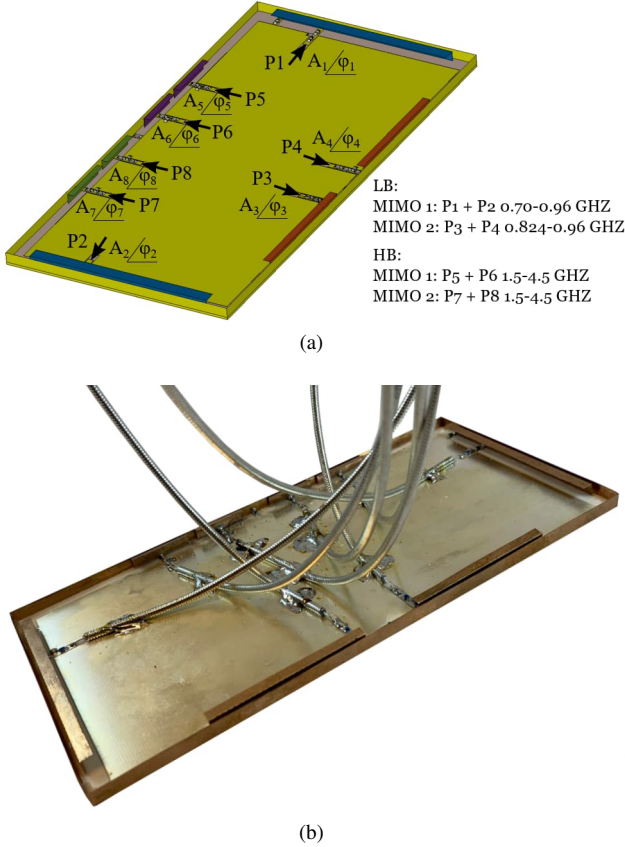


Fig. 2.: (a) Simulated antenna structure and the port configurations. Antenna elements of the clusters are indicated with the same color. (b) The measured antenna prototype.

Fig. 2. These elements are tuned to specific frequency bands with lumped matching components in order to cover frequency spectrum from 0.5 GHz to 4.5 GHz. Two clusters are designed for the low band (LB). The first LB-cluster (LB1) covers a wider 700–960 MHz band with one MIMO antenna and the second LB-cluster (LB2) achieves a narrower 824–960 MHz band to form a two-element MIMO system as illustrated in Fig. 3 (a)-(b). The two high-frequency clusters are used to cover a very wide band of 1.5–4.5 GHz with two-element MIMO, and denoted by high band (HB) clusters.

The optimal feeding weights ($\mathbf{a} = A_i \angle \varphi_i$) are obtained from the mathematical framework of antenna cluster tuning [23] which states that an optimal excitation \mathbf{a} can be extracted from the antenna scattering parameters \mathbf{S} while reducing the reflections at the antenna cluster feeds. In other words, the antenna cluster tuning or matching efficiency (η_{match}) is maximum for optimal feeding weights \mathbf{a} which pours down to maximizing the Rayleigh's quotient in Eq. (2). The antenna structure uses 0.8 mm Rogers RO4003C ($\epsilon_r = 3.38, \tan\delta = 0.0021$) low-loss substrate and offers high value of radiation efficiency (η_{rad}). The antenna matching efficiency (η_{match}) and Rayleigh's quotient in (2) can be maximized in order to extract required

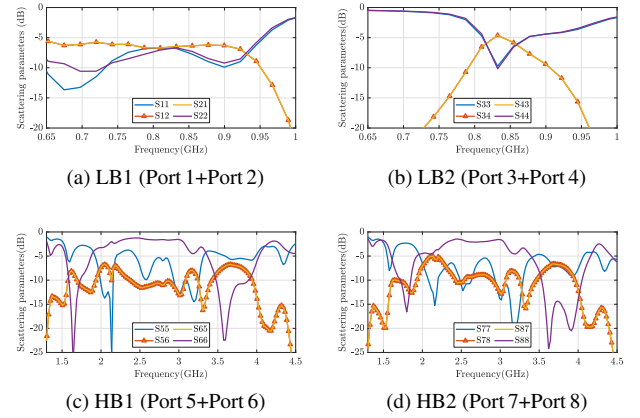


Fig. 3.: Measured scattering parameters of LB and HB-clusters: (a) LB1 (700 MHz – 960 MHz) (b) LB2 (824 MHz – 960 MHz) (c)-(d) HB1+HB2 (1.3 GHz – 4.5 GHz)

weighted signal characteristics. For low-loss antennas in loseless environment, total efficiency of antenna is close to matching efficient. On the other side, the MIMO performance metric is known as envelope correlation coefficient (ECC) which can be determined based on the far-field radiation patterns of the antenna clusters operating as MIMO. The ECC metric can be described as shown in Eq. (3) where far-field intensities of two antenna clusters are denoted by \vec{E}_1 and \vec{E}_2 in a spherical coordinate system.

$$\eta_{match} = \frac{\mathbf{a}^H \mathbf{D} \mathbf{a}}{\mathbf{a}^H \mathbf{a}} = \frac{\mathbf{a}^H (\mathbf{I} - \mathbf{S}^H \mathbf{S}) \mathbf{a}}{\mathbf{a}^H \mathbf{a}} \quad (2)$$

$$ECC = \frac{\int \int_{4\pi} \vec{E}_1(\theta, \phi) \cdot \vec{E}_2^*(\theta, \phi) d\Omega}{\int \int_{4\pi} |\vec{E}_1(\theta, \phi)|^2 d\Omega \int \int_{4\pi} |\vec{E}_2(\theta, \phi)|^2 d\Omega} \quad (3)$$

Fig. 4 shows the optimal feeding weights for both the low-band and the high-band operation extracted from Eq. (2). These results show the two different ways the cluster technique can be utilized. In LB-clusters, the power is divided equally between the ports and either a 0° or 180° phase difference is applied to improve the excitation of the metal-rim modes. In HB-clusters, we can recognize two different operation modes. Around 1.7 GHz and 3.5 GHz both elements are used, where as between these bands, only one of the elements is mainly used. This allows us to extend the frequency range of the cluster by combining the operation of two elements with partly overlapping resonances.

B) IC design

For the antenna cluster operating as a MIMO, an integrated RF transmitter is required to generate on-chip complex feeding weights. In particular, the target for the IC is to

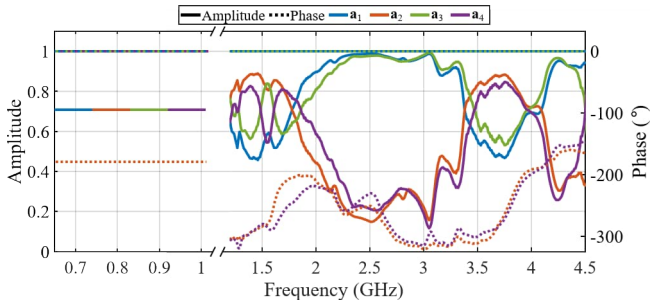


Fig. 4.: Optimal feeding weights for all four antenna clusters operating in LB and HB

comply with the respective amplitude and phase characteristics shown in Fig. 4. Firstly, the LB1 & LB2 clusters operate from 700 MHz–960 MHz, and require equal feeding signal amplitudes with 0° or 180° phase difference among antenna elements. Secondly, the HB-clusters 1&2 have varying amplitude and phase properties i.e. 14 dB amplitude range and 0° – 250° phase difference are desired for each antenna element operating from 1.3 GHz–4.5 GHz.

To cope up with these aforementioned requirements, an RFIC prototype has been utilized in this work, originally demonstrated in [24] for the first time in conjunction with antenna cluster tuning concept. In contrast to [24], in this work the RFIC additionally covers low-band frequencies 700 MHz–960 MHz, and also 1 GHz–1.5 GHz frequency range for high band clusters. Fig. 5 shows the system level diagram of the CMOS RFIC used in this contribution. In general, it consists of an input buffer stage and k tuning stages corresponding to k antenna elements in each antenna cluster. The IC takes an RF tone ranging between 0.7 GHz–4.5 GHz as an input, and transforms it to RF pulses $S_1 - S_k$ with buffer stages. Then, these pulses are fed to each tuning stage which basically contains a phase tuning block followed by an amplitude tuning block. These pulses are first processed in the phase tuning block φ_k which employs delay tuning circuits for the phase tuning represented with d_k . The phase tuned signal d_k is then scaled by the amplitude tuning block A_k which incorporates the low drop-out regulator based supply scaling for the output O_k . In this prototype ($k = 2$), the RFIC outputs are wirebonded to a printed circuit board (PCB) connecting IC outputs to the antenna clusters reported in [25]. The PCB is realized on a low loss 0.154 mm Rogers RO4350B substrate ($\epsilon_r = 3.48$, $\tan\delta = 0.0031$). The effect of IC output pad capacitance, bondwire inductance, and PCB traces have been taken into account during design procedure with an EM simulation model so that the off-chip losses and deviations are accordingly compensated.

The detailed amplitude and phase tuning methodologies are presented in [24]. The weighted signals $O_1 - O_k$ have certain resolutions for phase tuning and amplitude tuning at spectrum boundaries. The amplitude and phase or delay scaling capabilities of the transmitter IC are presented in Fig. 6(a) where transmitter IC operation at 0.5 GHz

and 5 GHz are presented with the on-chip amplitude scaling performance in relation to the simulation results. The measured amplitude scaling range deviates slightly due to losses occurring at higher frequency ranges. The transmitter RFIC provides an amplitude range of 10–18 dB at each IC output $O_1 - O_k$ with an amplitude resolution of 0.6 dB–1 dB across the band of interest. Similarly, the RFIC provides a phase coverage of 360° where each phase tuning block $\varphi_1 - \varphi_k$ enable 3° and 20° phase resolutions at 700 MHz and 4.5 GHz respectively. The phase tuning circuit consists of tapped-delay line circuit similar to [28], and the measured delay characteristics in Fig. 6(b) illustrate that each on-chip delay tuning circuit provides a delay range of 830 ps which is an ample amount of delay tuning full-filling our feeding weights requirements. Furthermore, the cluster LB1 & LB2 require constant amplitude and phase difference settings for the low bands (700 MHz–960 MHz), there the resolution aspect has marginal effect. For the HB-clusters 1&2 (1.5 GHz–4.5 GHz), the varying amplitude and phase difference requirements seems to demand sufficient resolution. Nevertheless, the high band clusters mainly operate in an alternate manner and require one antenna element of the cluster to be the major contributor in a particular band. This in turn relaxes the amplitude and phase tuning specification requirements for the on-chip implementation.

III. MEASUREMENT PROCEDURE

Traditionally, antenna under test (AUT) performance is characterized inside an anechoic chamber where initially a gain calibration procedure is performed with a standard antenna, of which the gain is known accurately [29]. For the purpose of gain calibration, a broadband horn antenna structure is placed inside an anechoic chamber as shown in Fig. 7(a). One port of a vector-network-analyzer (VNA) excites the horn antenna whose radiation pattern is then captured by the scanning probe array embedded inside the anechoic chamber. The control unit (CTRL) interfaces with this scanning array and completes the path by connect it to the second port of VNA. In this way, we are able to model the the anechoic chamber environment with a standard gain calibration data. Afterwards, the horn antenna is removed, and the actual AUT is placed inside the chamber as shown in Fig. 7(b). Again, the same procedure is performed with an exception, the gain calibration done prior to this step act as a reference measurement for AUT characterization. Hence, the required performance metrics such as gain, directivity, efficiency, radiation patterns etc are determined in accordance with that reference measurement relying on post processing of measurement data.

In prior work reported in [25], the complex feeding weights have been realized by measuring the radiation patterns of each feed individually while terminating the other feeds with $50\ \Omega$ loads and then combining these patterns numerically in software tool Matlab where proper amplitude and phase weighting were accomplished. Because

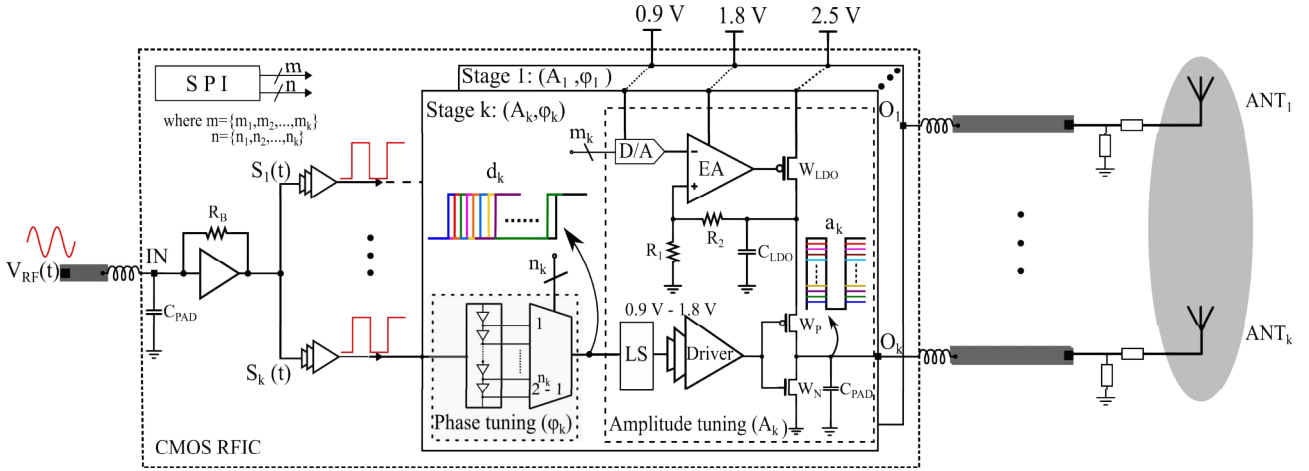


Fig. 5.: System level diagram of a generic CMOS multichannel RFIC consisting of k stages for the tuning of the MIMO antenna cluster. An RF signal $V_{RF}(t)$ is driving each tuning stage where the k -th tuning stage weights the phase and amplitude of the k -th antenna element in accordance with the optimal phases and amplitudes. In particular, each tuning stage contains a corresponding phase tuning block (φ_k) and an amplitude tuning block (A_k) with resolutions n_k and m_k respectively.

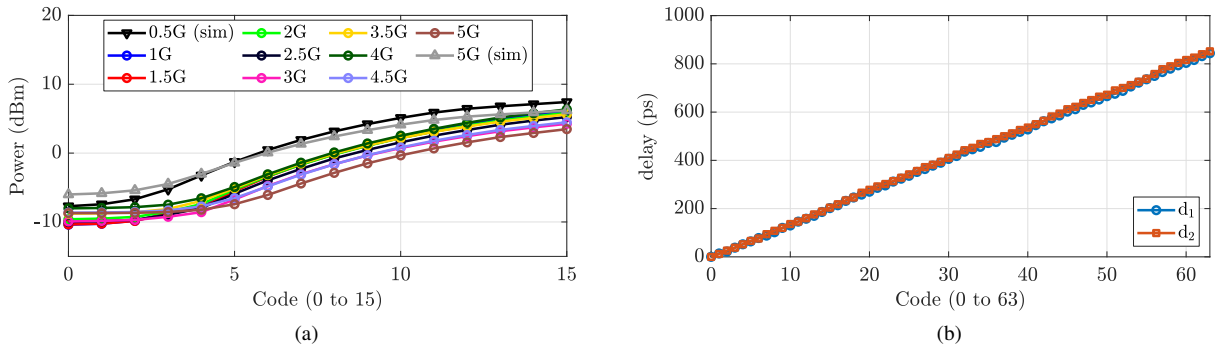


Fig. 6.: RFIC transmitter incorporating on-chip weighted signal generation (a) Measured amplitude scaling range of one TX IC output (b) Measured delay tuning performance of two TX IC phase tuning-blocks

of the weight generation on RFIC realized in this work, we can measure all the feeds of a cluster at once with respective on-chip amplitude and phase scaling. Because the measurement system does not directly support the use of an active integrated circuit (IC) in the measurements, we have performed supplementary steps in order to calibrate the results. Therefore, the anechoic chamber measurements have to be customized, and for this purpose a new setup is illustrated in Fig. 7(c) which includes the TX IC driving a standard horn antenna. Then, the gain calibration procedure is performed for each TX IC output $O_1 - O_k$ in order to export reference measurement data for AUT characterization. Similarly, the horn is replaced with the AUT and by generating the respective SPI settings (m, n) based on Fig. 4, one can generate weighted signal at the TX IC outputs which are driving the antenna clusters on the handset AUT. In this way, the AUT performance metrics can be determined in real time where all antenna cluster feeds are

excited at once with actual weighted RF signals. The customized antenna cluster measurement procedure is stated below as followed:

- (i) TX IC amplitude and phase scaling range and resolutions are characterized in reference to a 50Ω load as depicted in Fig. 6.
- (ii) Gain calibration procedure with a horn antenna should be separately performed with each TX IC output $O_1 - O_k$. For this purpose, VNA port 1 sweeps TX IC input signal across designated frequency range, and the SPI setting for amplitude tuning control m is set to the highest code value, i.e., $m_1 - m_k = 15$. This implies that the TX IC output drives the horn antenna with a maximum deliverable power whose radiation pattern is then captured with the scanning probes interfacing with VNA port 2 as shown in Fig. 7(c). This reference measurement consists of gain calibration data, and are denoted with $\{P_{horn,1}, \dots, P_{horn,k}\}$ corresponding to each TX IC output $O_1 - O_k$. Since

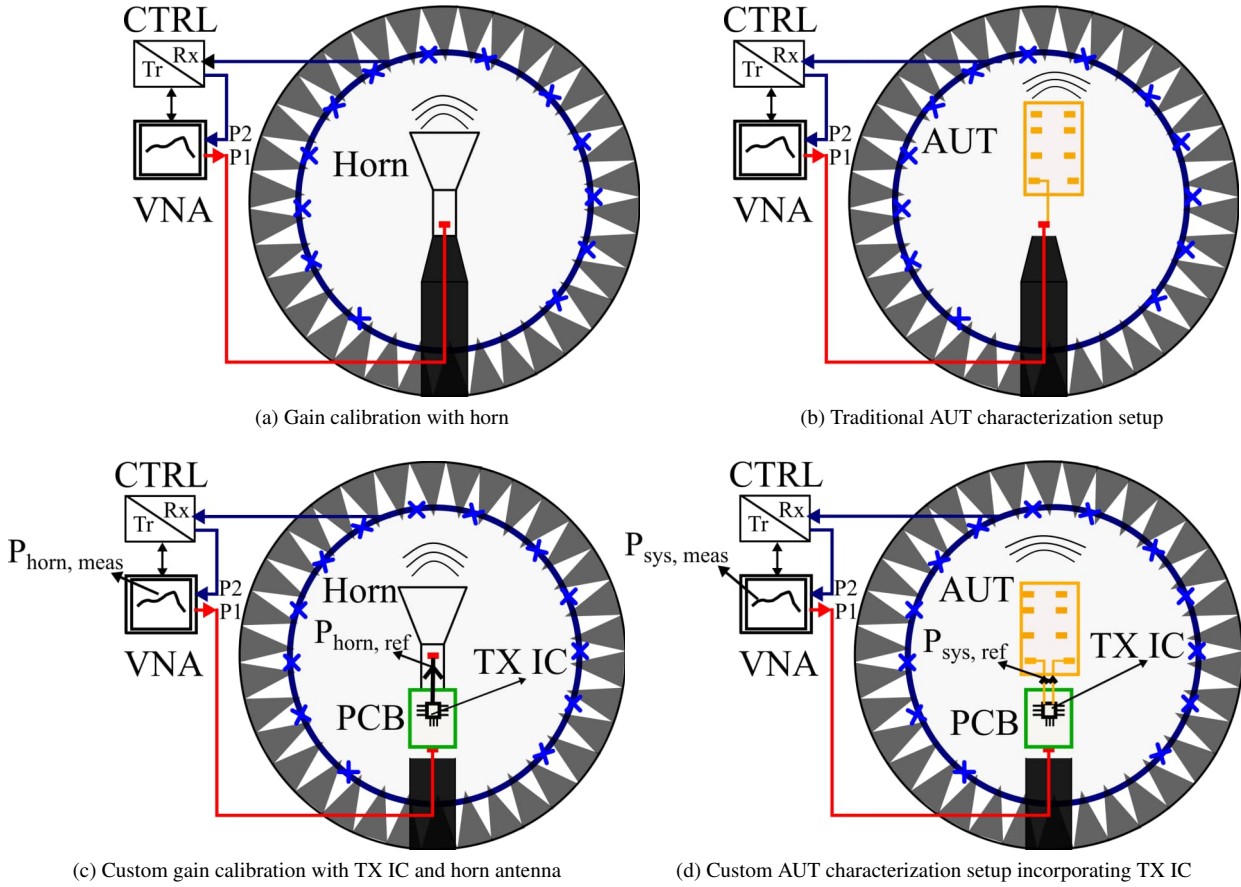


Fig. 7.: Comparison of gain calibration and AUT characterization in an anechoic chamber consisting of a compact field scanner capable of performing accurate near-field to far-field transformation (a) Gain calibration procedure with a broadband horn antenna driven with a VNA and control unit CTRL, an apriori for AUT measurement (b) Traditional passive AUT characterization setup where clusters are being characterized individually. (c) Gain calibration with an active TX IC where each feed of the TX IC is separately interfaced and characterized with horn antenna (d) Active AUT measurements involving a TX IC providing real-time weighted RF signal generation for antenna cluster tunability and MIMO operation verification.

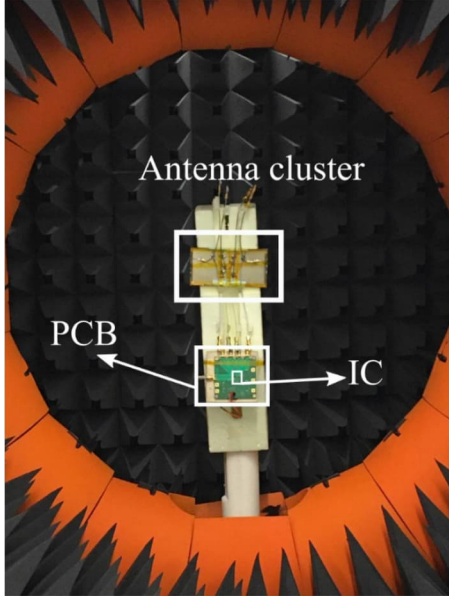
all amplitude tuning-blocks $A_1 - A_k$ are identical, i.e., the calibration data is also similar which allows us to use a single reference measurement: $P_{horn, meas}$ (dB) = average($\{P_{horn, 1}, \dots, P_{horn, k}\}$).

- (iii) Next, replace the horn antenna with AUT, and connect TX IC outputs $O_1 - O_k$ to respective antenna cluster ports. The VNA port 1 sweeps TX IC input signal either in LB or HB depending on the respective antenna clusters. Apply SPI settings (m, n) based on Fig. 4 in order to perform antenna cluster tuning. This measurement provides transmission data from our TX IC driving AUT which is captured by VNA port 2, and denoted by $P_{sys, meas}$ (dB).
- (iv) The steps (ii) & (iii) provide relative performance metrics $P_{horn, meas}$ (dB) and $P_{sys, meas}$ (dB) which models the complete transmission path between VNA port 1 and port 2. To observe antenna cluster tuning of AUT based on weighted signal generation with TX IC, the total efficiency η_{tot} requires absolute power being fed to horn and AUT. In this way, the AUT LB and HB clusters

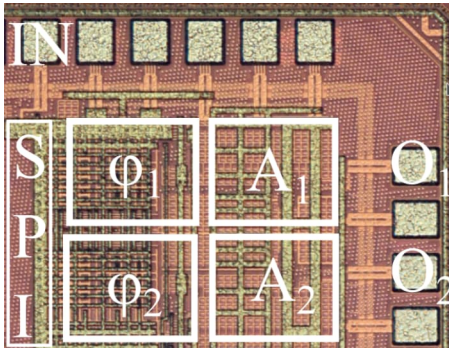
can be characterized with appropriate efficiency metric. Thus, the AUT efficiency is described by Eq. (4) where $P_{horn, ref}$ (dBm) and $P_{sys, ref}$ (dBm) denote the absolute power delivered to horn and AUT, respectively. These power levels are determined from a benchmark simulation performed in an integrated circuit design environment where the measured scattering parameters of the AUT and horn antennas are imported, and then simulated with TX IC design on transistor level. The reasons to obtain these numbers are three folds: Firstly, the simulations take into account transmission line, substrate, and cable losses through EM based models. Secondly, the AUT uses matching networks for LB and HB clusters which results in different output power levels across various frequency bands. Finally, the proprietary measurement environment was limited to passive antenna measurements only, and while now we can execute active antenna measurements as well.

$$\eta_{tot} \text{ (dB)} = \underbrace{[P_{sys, meas} \text{ (dB)} - P_{horn, meas} \text{ (dB)}]}_{\text{Measured relative power}} - \underbrace{[P_{sys, ref} \text{ (dBm)} - P_{horn, ref} \text{ (dBm)}]}_{\text{Input power reference}} \quad (4)$$

IV. MEASUREMENT SETUP



(a)



(b)

Fig. 8.: (a) Measurement setup (b) Chip photo

The operation of the whole system is confirmed with measurements. The measurements are performed with MVG StarLab 6 GHz antenna measurement system, a compact field scanner which enables sub-6 GHz antenna characterization. Basically, it is designed for passive antenna measurements, however, a custom measurement procedure is adopted to accommodate active antenna measurements.

For this purpose, the TX IC input is connected to one port of the VNA and the TX IC output O_k is connected to horn antenna. Then, this system (TX IC + HORN) is placed inside the StarLab equipment where one VNA port sweeps

the IC input signal over 0.7 GHz–4.5 GHz. Accordingly the horn antenna radiation pattern is scanned by the equipment scanning probe which is connected to second port of the VNA. In this way, we have measured data of IC output O_k with the horn antenna as a reference. Similarly, all IC outputs $O_1 - O_k$ have been separately characterized for calibration purpose.

Thereafter, the actual antenna cluster ports are attached to the PCB, and the complete system (TX IC + AUT) is mounted inside MVG StarLab 6 GHz equipment in order to investigate the efficiency of all four antenna clusters as shown in Fig. 8(a). To determine the respective antenna cluster efficiency, one VNA port sweeps the TX IC input and the antenna cluster ports are attached to two IC outputs $O_1 - O_2$ with respective amplitude and phase settings controlled with a serial-to-peripheral interface (SPI) for proper weighting of antenna cluster feeds. Fig. 8 (b) shows the die photo of the multichannel TX IC with corresponding amplitude $A_1 - A_2$ and phase tuning-blocks $\phi_1 - \phi_2$. As mentioned previously, the antenna cluster radiation pattern is scanned by the probes inside the equipment and connected to the second port of the VNA. As a consequence, the equipment software processes the measurement data and enables antenna cluster efficiency characterization across desired spectrum.

V. RESULTS AND DISCUSSION

The measurement results for the LB clusters are shown in Fig. 9(a),(b),(e), and the HB clusters in Fig. 9(c),(d),(f). The results are presented both for the combined antenna-IC operation and without the IC for comparison. The results of the antenna only are obtained by measuring each feed separately and combining these patterns computationally with the proper weighting coefficients.

The total efficiency of the antenna cluster is roughly constant for LB-cluster 1 while the LB-cluster 2 offers a bandpass type response, and the efficiency of the cluster lies between -4 dB to -1.5 dB. For LB-cluster 1, the results show that up to 900 MHz, the results are very similar. For LB-cluster 2, there is a frequency shift of about 50 MHz, nevertheless, the efficiency level and bandwidth are otherwise similar between the two results. To investigate the issue, the PCB transmission lines and the antenna cluster models are analyzed in ADS software with S-parameter simulation. It confirms that the frequency shift owes to PCB transmission lines between the IC and antenna PCBs which were neglected during the design phase. This could be compensated relatively easily, e.g., by changing the matching network component accordingly.

The high-band results of clusters 1 and 2 show that very wide operation band from 1.5 GHz up to 4.5 GHz can be achieved also with the IC. Both clusters HB 1 & HB 2 have better than -3.9 dB efficiency on average over this band. Some differences between the two cluster results and between the results with and without the IC can be observed. These could be explained, e.g., by non-ideal

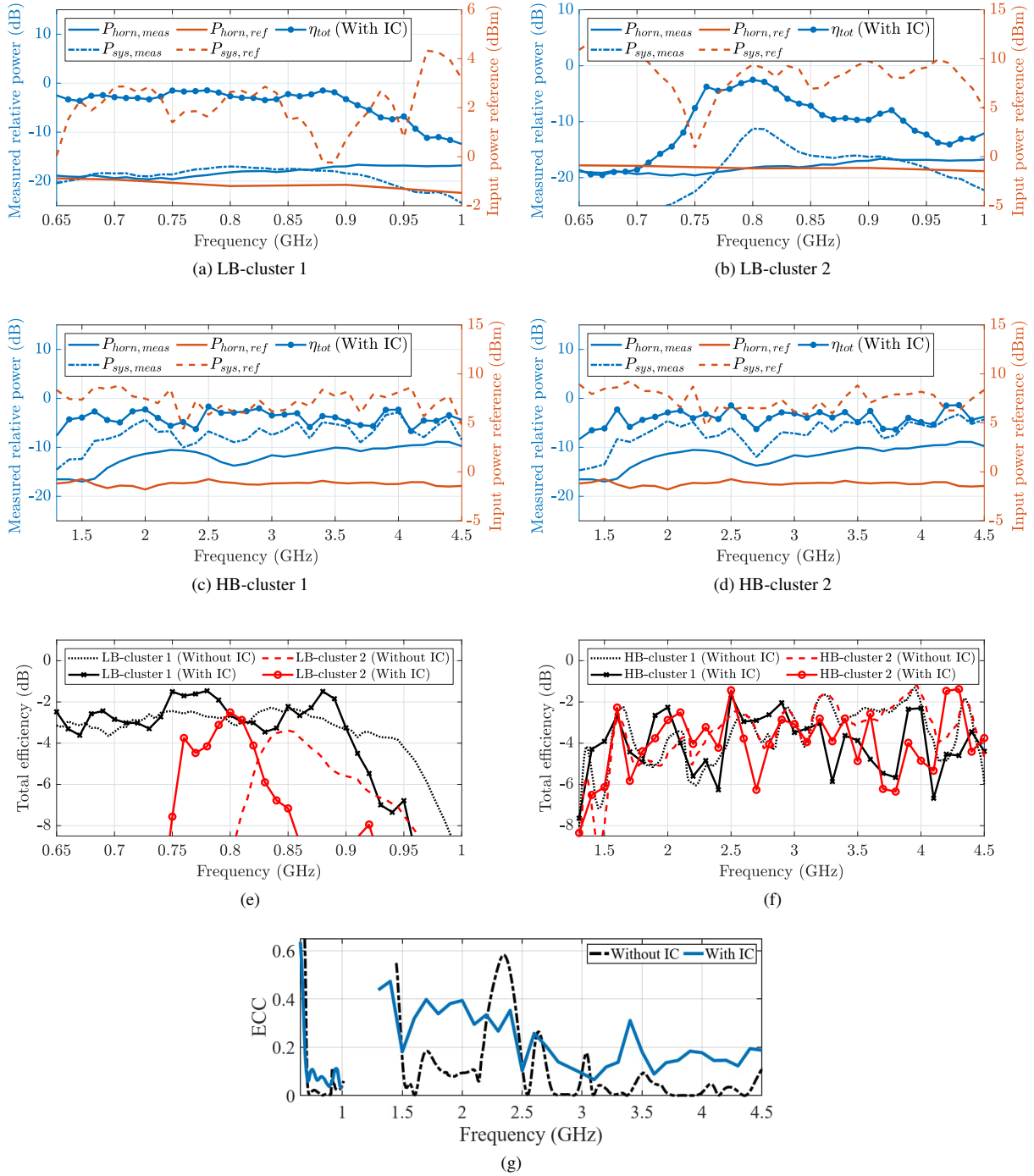


Fig. 9.: Measured characteristics of all four clusters in reference to input power levels across the designated frequency spectrum. (a)-(b) LB-cluster 1 & 2 characteristics from 0.65 GHz to 0.9 GHz (c)-(d) HB-cluster 1 & 2 characteristics from 1.3 GHz to 4.5 GHz (e) LB-cluster performance with/without IC (f) HB-cluster performance with/without IC (g) Envelope correlation coefficient of the LB and HB-clusters from 0.65 GHz to 4.5 GHz

weighting coefficients, especially for the phase. The feeding weights realized with the IC are based directly on those calculated from the measurement results of the antenna only. When the IC-PCB and the antenna prototype are connected, as shown in Fig. 8, the required feeding weights

for the optimal performance might differ from those actually used. These problems could be avoided in the future by improving the integration of the antenna and the IC, for example, by realizing them on the same PCB.

To confirm the important MIMO operation, the envelope correlation coefficient (ECC) calculated from the measured

far-field patterns is given in Fig. 9(g). The results show that especially in the low band, ECC is very low, below 0.1. In the higher frequencies, the ECC values are higher than in the low band, but still below 0.4 in the whole 1.5–4.5 GHz band. This means that the effect of correlation for the MIMO operation is small and good MIMO operation can be achieved in both frequency bands [30].

Because the goal of this work is to demonstrate the use of an integrated transmitter IC with a multiport antenna prototype, comparing the results with other published antennas is not straightforward, since they are measured passively without real transmitter circuit. However, we can compare our results on general level with some of the other published unbroken metal rim antennas, e.g., [31–37]. These results show that many of them have larger ground clearances and not as wide frequency bands as this work. In addition, not all of them have MIMO capability and the achieved efficiency levels, taken these factors also into account, are not significantly higher. Therefore, it can be concluded that the proposed solution can offer a competitive performance even with real transmitter circuit combined with the antenna.

VI. CONCLUSION

This paper presents real-time demonstration of transmitter IC enabling frequency tunability of a MIMO handset terminal antennas operating across a wide band in practice. The transmitter IC provides on-chip weighted signal generation in sub-6 GHz frequency bands especially in the low (700 MHz–960 MHz) and high bands (1.5 GHz–4.5 GHz). The four antenna clusters are driven with optimal signal generation on the implemented transmitter IC. The transmitter IC is fabricated on a 28-nm CMOS process, and accommodates on-chip amplitude and phase tuning-blocks full-filling the required weighted signal requirements. Traditional passive antenna measurements are compared with the proposed customized antenna measurements where transmitter IC and AUT is used as a system in order to validate the frequency tunability and MIMO operation of antenna clusters. The transmitter IC provides a robust solution in adjusting the frequency characteristics of antenna clusters while providing measured total antenna efficiencies ranging from -6.5 dB to -1.5 dB across wide frequency bands. Competent MIMO performance is achieved with ECC values lower than 0.4 at all frequencies. Hence, this experimental verification confirms the feasibility of an integrated transmitter IC based solution suitable for antenna cluster-tuning based MIMO handset device.

REFERENCES

- [1] P. Vainikainen, J. Holopainen, C. Icheln, O. Kivekas, M. Kyro, M. Mustonen, S. Ranvier, R. Valkonen, and J. Villanen, "More than 20 antenna elements in future mobile phones, threat or opportunity?," in *2009 3rd European Conference on Antennas and Propagation*, pp. 2940–2943, 2009.
- [2] G. P. Jin, C. H. Deng, J. Yang, Y. C. Xu, and S. W. Liao, "A new differentially-fed frequency reconfigurable antenna for WLAN and sub-6GHz 5G applications," *IEEE Access*, pp. 1–1, 2019.
- [3] Y. Braham Chaouche, I. Messaoudene, I. Benmabrouk, M. Nedil, and F. Bouttout, "Compact coplanar waveguide-fed reconfigurable fractal antenna for switchable multiband systems," *IET Microwaves, Antennas Propagation*, vol. 13, no. 1, pp. 1–8, 2019.
- [4] A. Sheta and S. F. Mahmoud, "A widely tunable compact patch antenna," *IEEE Antennas and Wireless Propagation Letters*, vol. 7, pp. 40–42, 2008.
- [5] A. N. Kulkarni and S. K. Sharma, "Frequency reconfigurable microstrip loop antenna covering LTE bands with MIMO implementation and wideband microstrip slot antenna all for portable wireless DTV media player," *IEEE Transactions on Antennas and Propagation*, vol. 61, pp. 964–968, Feb 2013.
- [6] Y. Li, Z. Zhang, J. Zheng, Z. Feng, and M. F. Iskander, "A compact hepta-band loop-inverted f reconfigurable antenna for mobile phone," *IEEE Transactions on Antennas and Propagation*, vol. 60, pp. 389–392, Jan 2012.
- [7] H. F. Abutarboush, R. Nilavalan, S. W. Cheung, K. M. Nasr, T. Peter, D. Budimir, and H. Al-Raweshidy, "A reconfigurable wideband and multiband antenna using dual-patch elements for compact wireless devices," *IEEE Transactions on Antennas and Propagation*, vol. 60, pp. 36–43, Jan 2012.
- [8] X. L. Sun, S. W. Cheung, and T. I. Yuk, "Dual-band monopole antenna with frequency-tunable feature for WiMAX applications," *IEEE Antennas and Wireless Propagation Letters*, vol. 12, pp. 100–103, 2013.
- [9] T. Li, H. Zhai, L. Li, and C. Liang, "Frequency-reconfigurable bow-tie antenna with a wide tuning range," *IEEE Antennas and Wireless Propagation Letters*, vol. 13, pp. 1549–1552, 2014.
- [10] E. de Foucauld, R. Severino, D. Nicolas, A. Giry, and C. Delaveaud, "A 433MHz SOI CMOS automatic impedance matching circuit," *IEEE Transactions on Circuits and Systems II: Express Briefs*, pp. 1–1, 2018.
- [11] S. Riaz, X. Zhao, and S. Geng, "A compact frequency agile patch antenna with agile microstrip feedline," in *2019 2nd International Conference on Computing, Mathematics and Engineering Technologies (iCoMET)*, pp. 1–4, Jan 2019.
- [12] I. Kim and Y. Rahmat-Samii, "RF MEMS switchable slot patch antenna integrated with bias network," *IEEE Transactions on Antennas and Propagation*, vol. 59, pp. 4811–4815, Dec 2011.
- [13] T. Yamagajo and Y. Koga, "Frequency reconfigurable antenna with MEMS switches for mobile terminals," in *2011 IEEE-APS Topical Conference on Antennas and Propagation in Wireless Communications*, pp. 1213–1216, Sep. 2011.
- [14] R. Valkonen, C. Luxey, J. Holopainen, C. Icheln, and P. Vainikainen, "Frequency-reconfigurable mobile terminal antenna with MEMS switches," in *Proceedings of the Fourth European Conference on Antennas and Propagation*, pp. 1–5, April 2010.
- [15] V. Kumar, D. R. Jahagirdar, A. Basu, and S. K. Koul, "Intra-band frequency reconfigurable antenna using RF MEMS technology," in *IEEE MTT-S International Microwave and RF Conference*, pp. 1–4, Dec 2013.
- [16] A. Zohur, H. Mopidevi, D. Rodrigo, M. Unlu, L. Jofre, and B. A. Cetiner, "RF MEMS reconfigurable two-band antenna," *IEEE Antennas and Wireless Propagation Letters*, vol. 12, pp. 72–75, 2013.
- [17] D. Molinero, S. Aghaei, A. S. Morris, and S. Cunningham, "Linearity and rf power handling on capacitive rf mems switches," *IEEE*

Transactions on Microwave Theory and Techniques, vol. 67, no. 12, pp. 4905–4913, 2019.

- [18] B. Cetinoneri, Y. A. Atesal, and G. M. Rebeiz, “A miniature DC-70 GHz SP4T switch in 0.13- μm CMOS,” in *2009 IEEE MTT-S International Microwave Symposium Digest*, pp. 1093–1096, 2009.
- [19] D. Wang, R. Wolf, A. Joseph, A. Botula, P. Rabbeni, M. Boenke, D. Harame, and J. Dunn, “High performance SOI RF switches for wireless applications,” in *2010 10th IEEE International Conference on Solid-State and Integrated Circuit Technology*, pp. 611–614, 2010.
- [20] V. Blaschke, A. Unikovski, and R. Zwingman, “An ultra-compact SP4T cellular antenna switch in 3.3V CMOS thick-film SOI,” in *2013 IEEE International Wireless Symposium (IWS)*, pp. 1–4, 2013.
- [21] W. Lee and B. Jang, “A tunable MIMO antenna with dual-port structure for mobile phones,” *IEEE Access*, pp. 1–1, 2019.
- [22] R. Valkonen, J. Ilvonen, C. Icheln, and P. Vainikainen, “Inherently non-resonant multi-band mobile terminal antenna,” *Electronics Letters*, vol. 49, pp. 11–13, January 2013.
- [23] J.-M. Hannula, T. Saarinen, J. Holopainen, and V. Viikari, “Frequency reconfigurable multiband handset antenna based on a multichannel transceiver,” *IEEE Transactions on Antennas and Propagation*, vol. 65, pp. 4452–4460, Sep. 2017.
- [24] A. R. Saleem, K. Stadius, J. M. Hannula, A. Lehtovuori, M. Kosunen, V. Viikari, and J. Ryyänen, “A 1.5–5-GHz integrated RF transmitter front end for active matching of an antenna cluster,” *IEEE Transactions on Microwave Theory and Techniques*, vol. 68, no. 11, pp. 4728–4739, 2020.
- [25] R. Luomaniemi, J.-M. Hannula, R. Kormilainen, A. Lehtovuori, and V. Viikari, “Unbroken metal rim MIMO antenna utilizing antenna clusters,” *IEEE Antennas Wirel. Propag. Lett.*, vol. 18, pp. 1071–1075, June 2019.
- [26] A. R. Saleem, R. Luomaniemi, A. Lehtovuori, K. Stadius, M. Kosunen, V. Viikari, and J. Ryyänen, “A frequency tunable mimo antenna cluster with transmitter ic,” in *2021 15th European Conference on Antennas and Propagation (EuCAP)*, pp. 1–5, 2021.
- [27] J.-M. Hannula, A. Lehtovuori, R. Luomaniemi, T. O. Saarinen, and V. Viikari, “Beneficial interaction of coupling and mismatch in a two-antenna system,” in *2019 13th European Conference on Antennas and Propagation (EuCAP)*, pp. 1–4, Mar. 2019.
- [28] J. Lemberg, M. Martelius, E. Roverato, Y. Antonov, T. Nieminen, K. Stadius, L. Anttila, M. Valkama, M. Kosunen, and J. Ryyänen, “A 1.5–1.9-GHz all-digital tri-phasing transmitter with an integrated multilevel class-D power amplifier achieving 100-MHz RF bandwidth,” *IEEE Journal of Solid-State Circuits*, vol. 54, no. 6, pp. 1517–1527, 2019.
- [29] A. Harish, *Antennas and Wave Propagation, Ch. 7, pg. 323-324*. Oxford University Press, Inc., 2007.
- [30] R. Tian, B. K. Lau, and Z. Ying, “Multiplexing efficiency of MIMO antennas,” *IEEE Antennas Wirel. Propag. Lett.*, vol. 10, pp. 183–186, 2011.
- [31] C. Deng, Z. Feng, and S. V. Hum, “MIMO mobile handset antenna merging characteristic modes for increased bandwidth,” *IEEE Transactions on Antennas and Propagation*, vol. 64, pp. 2660–2667, July 2016.
- [32] L. Qu, J. Jeon, D. Park, and H. Kim, “Antenna design based on quasi-degenerate characteristic modes of unbroken metal rim,” *IET Microwaves, Antennas Propagation*, vol. 11, no. 15, pp. 2168–2173, 2017.
- [33] Z. Xu, Y. Sun, Q. Zhou, Y. Ban, Y. Li, and S. S. Ang, “Reconfigurable MIMO antenna for integrated-metal-rimmed smartphone applications,” *IEEE Access*, vol. 5, pp. 21223–21228, 2017.
- [34] Z.-Q. Xu, Q.-Q. Zhou, Y.-L. Ban, and S. S. Ang, “Hepta-band coupled-fed loop antenna for lte/wwan unbroken metal-rimmed smartphone applications,” *IEEE Antennas and Wireless Propagation Letters*, vol. 17, no. 2, pp. 311–314, 2018.
- [35] L. Zhang, Y. Ban, C. Sim, J. Guo, and Z. Yu, “Parallel dual-loop antenna for WWAN/LTE metal-rimmed smartphone,” *IEEE Transactions on Antennas and Propagation*, vol. 66, pp. 1217–1226, Mar. 2018.
- [36] Q. Chen, H. Lin, J. Wang, L. Ge, Y. Li, T. Pei, and C. Sim, “Single ring slot-based antennas for metal-rimmed 4G/5G smartphones,” *IEEE Transactions on Antennas and Propagation*, vol. 67, pp. 1476–1487, Mar. 2019.
- [37] P. Qiu and Q. Feng, “Low-profile compact antenna for octa-band metal-rimmed mobile phone applications,” *IEEE Transactions on Antennas and Propagation*, vol. 68, pp. 54–61, Jan. 2020.

Ali Raza Saleem was born in Lahore, Pakistan, in 1990. He received the B.Sc electrical engineering degree in 2014 from the University of Engineering and Technology, Lahore, Pakistan. Later, he received his M.Sc. and Phd degrees in electrical engineering from Aalto University, Finland, in 2017 and 2022, respectively.



From 2016 to 2021, he has been working as a research assistant at Aalto University. His research interests include radio frequency integrated circuits for next generation radio transceivers, multiport antenna tuning, and 5G integrated transmitters. Since, 2022 he has been with CoreHW Finland as a design engineer, working on IC design for RF and millimeter wave applications.

Rasmus Luomaniemi was born in Salo, Finland, in 1994. He received the B.Sc. (Tech.), M.Sc. (Tech.), and D.Sc. (Tech.) degrees in electrical engineering from Aalto University, Espoo, Finland, in 2016, 2018, and 2021, respectively.



From 2014 to 2021, he was with the Department of Electronics and Nanoengineering, School of Electrical Engineering, Aalto University, where he studied MIMO antennas for mobile devices and multiport antennas. Since 2021, he has been with Huawei Technologies Finland as a Terminal Antenna Engineer.

Dr. Luomaniemi was a recipient of the Second Prize in the IEEE AP-S Student Design Contest as a part of the Team Aalto ELEC, in 2016.

Anu Lehtovuori received the M.Sc. (Tech.) and Lic.Sc. (Tech.) degrees from the Helsinki University of Technology, Espoo, Finland, in 2000 and 2003, respectively, and the D.Sc. (Tech.) degree from Aalto University, Espoo, in 2015, all in electrical engineering. She is currently a Senior University Lecturer in circuit theory with the Aalto University School of Electrical Engineering, Espoo. Her current research interests include electrically small antennas, multiport antennas, and design of antennas for mobile devices.





Kari Stadius received the M.Sc., Lic. Tech., and Doctor of Science degrees in electrical engineering from the Helsinki University of Technology, Helsinki, Finland, in 1994, 1997, and 2010, respectively. He is currently working as a staff scientist at the Department of Electronics and Nanoengineering, Aalto University School of Electrical Engineering. His research interests include RF and microwave circuits for communications, and analog and mixed-mode circuit design. He has authored or coauthored over a hundred refereed journal and conference papers, and he holds several patents.



Marko Kosunen received his M.Sc, L.Sc and D.Sc (with honors) degrees from Helsinki University of Technology, Espoo, Finland, in 1998, 2001 and 2006, respectively. He is currently a Senior Researcher at Aalto University, Department of Electronics and Nanoengineering. Academic years 2017-2019 he visited Berkeley Wireless Research Center, UC Berkeley, on Marie Skłodowska-Curie grant from European Union. He has authored and co-authored more than 90 journal and conference papers and holds several patents. His current research interests include programmatic circuit design methodologies, digital intensive and time-based transceiver circuits, and medical sensor electronics.



Ville Viikari was born in Espoo, Finland, in 1979. He received the Master of Science (Tech.) and Doctor of Science (Tech.) (with distinction) degrees in electrical engineering from the Helsinki University of Technology (TKK), Espoo, Finland, in 2004 and 2007, respectively.

He is currently an Associate Professor and Deputy Head of Department with the Aalto University School of Electrical Engineering, Espoo, Finland. From 2001 to 2007, he was with the Radio Laboratory, TKK, where he studied antenna measurement techniques at submillimeter wavelengths and antenna pattern correction techniques. From 2007 to 2012, he was a Research Scientist and a Senior Scientist with the VTT Technical Research Centre, Espoo, Finland, where his research included wireless sensors, RFID, radar applications, MEMS, and microwave sensors. His current research interests include antennas for mobile networks, RF-powered devices, and antenna measurement techniques.

Dr. Viikari has served as the chair of the Technical Program Committee of the ESA Workshop on Millimetre-Wave Technology and Applications and the Global Symposium on Millimeter Waves (GSMM) twice, in 2011 and 2016 in Espoo, Finland. He was the recipient of the Young Researcher Award of the Year 2014, presented by the Finnish Foundation for Technology Promotion, IEEE Sensors Council 2010 Early Career Gold Award, the 2008 Young Scientist Award of the URSI XXXI Finnish Convention on Radio Science, Espoo, Finland, and the Best Student Paper Award of the annual symposium of the Antenna Measurement Techniques Association, Newport, RI, USA (October 30–November 4, 2005).



Jussi Ryyänänen was born in Ilmajoki, Finland, in 1973. He received the M.Sc. and D.Sc. degrees in electrical engineering from the Helsinki University of Technology, Espoo, Finland, in 1998 and 2004, respectively. He is a full professor and the Head of the Department of Electronics and Nanoengineering, Aalto University, Espoo, Finland. He has authored or co-authored more than 140 refereed journal and conference papers in analog and RF circuit design. He holds seven patents on RF

circuits. His research interests are integrated transceiver circuits for wireless applications. Prof. Ryyänänen has served as a TPC Member for the European Solid-State Circuits Conference (ESSCIRC) and the IEEE International Solid-State Circuits Conference (ISSCC), and as a Guest Editor for the IEEE Journal of Solid-State Circuits.